

MARKET LEADERS IN FILTRATION

RONA™ FLOW

4-LAYERS STRUCTURE CARTRIDGE

Filter

The RONA™ Flow multi-layer depth filter cartridge is manufactured with four different polypropylene grades of fibres.

FEATURES

- Lower pressure drop
- High contaminate retention
- Four-layer structure cartridge
- Increased filter service life
- Micro-Denier melt-blown filtration fibre
- 100% polypropylene for compatibility with a wide range of process fluids
- Formed by thermal bond without use of any binders and adhesives
- Certified by NSF42 and FDA CFR Title 21
- The multi-layer structure of the RONA™ Flow depth cartridge is produced with fine fibres in the inner layer and increases to coarse fibres in the outer layer resulting in four different grades
- The unique structure of the RONA™ Flow offers a high quality cartridge at a low cost

APPLICATIONS OF PRODUCT

- Electroplating, etching and image development processes in PCB industry. Filtration of electroplating fluid in conventional electroplating industry. Pre-filter of DI & RO water filtration system for industry.
- Filtration of low viscosity fluids of chemical.
- Filtration of water for manufacturing processes and recycled water.
- Drinking water & Juice

OPERATING CONDITIONS

Maximum forward pressure drop:

2.1 kg/cm²@ 60°C

4.2 kg/cm²@ 20°C

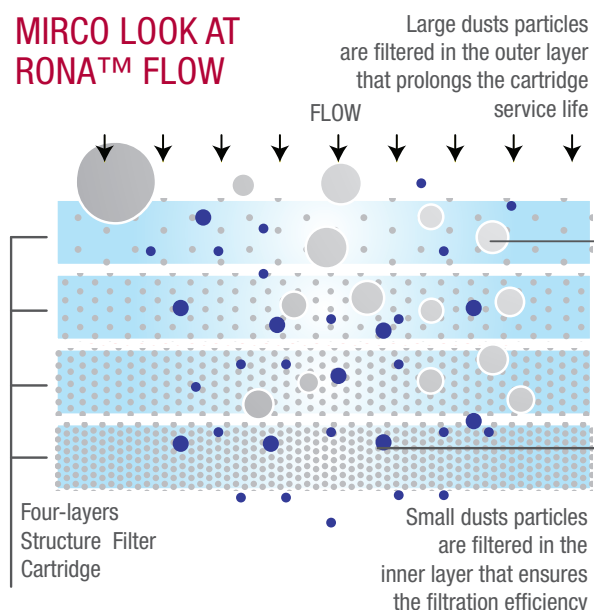
Recommended replaceable pressure drop: 1.5 kg/cm²

Maximum operating temperature: 60°C

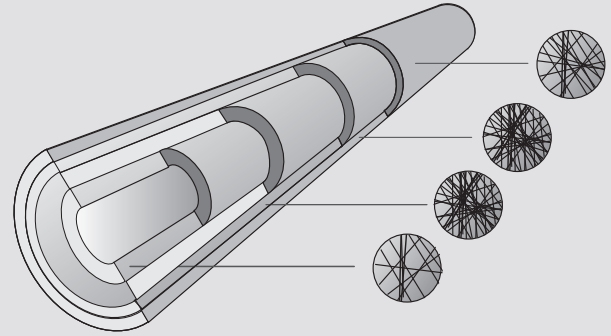
MATERIALS OF CONSTRUCTION

100% melt-blown micro-denier polypropylene fibre

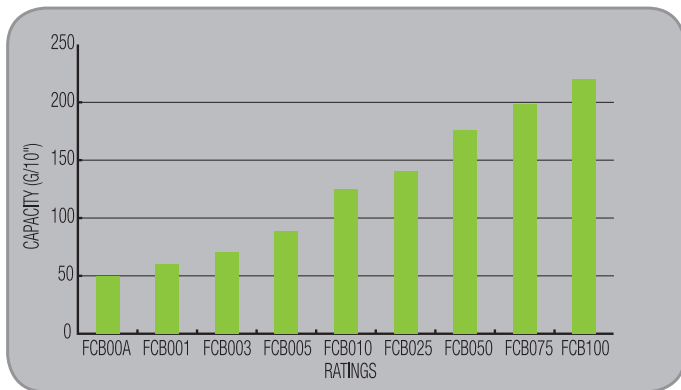
MIRCO LOOK AT RONA™ FLOW



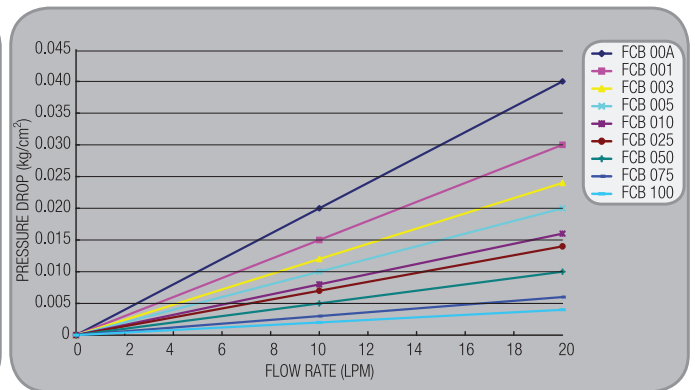
MEASUREMENTS



CAPACITY OF DUST



INITIAL PRESSURE DROP



ORDERING INFORMATION

CARTRIDGE	LENGTH / A	MICRON	O-RING MATERIAL	END CAP
206- FBC	1000 :10"	00A :0.5µm	E :EPDM	NO SYMBOL :DOE open
	2000 :20"	001 :1µm	N :Buna N	F :DOE dbl open & cap
	3000 :30"	003 :3µm	S :Silicone	0 :SOE 222/flat
	4000 :40"	005 :5µm	V :Viton	5 :SOE 222/fin
		010 :10µm	T :Viton encapsulated PFA	6 :SOE 226/flat
		025 :25µm		7 :SOE 226/fin
		050 :50µm		
		075 :75µm		
	100 :100µm			

Example: 206-FBC1000001EF

Australia Office:

P: +61 (0) 3 9872 6811
 F: +61 (0) 3 9872 6822
 E: Feedback@progressivegroup.com.au
 17 Redland Drive, Mitcham, 3132, Victoria, Australia
 www.progressivegroup.com.au

New Zealand Office:

P: +64 (0) 9 951 3142
 F: +64 (0) 9 951 3143
 E: Feedback@progressivegroupnz.co.nz
 17B Farnham Street, Parnell, Auckland, 1052, New Zealand
 www.progressivegroupnz.co.nz