

MARKET LEADERS IN FILTRATION

RONA™ PURE

2-LAYERS STRUCTURE CARTRIDGE

Filter

The RONA™ Pure depth filter cartridge is a two-layers structure cartridge with fine fibres in inner layer and coarse fibre in outer layer.



FEATURES

- Two-layers structure cartridge, high contaminant holding capacity, long filter service life
- 100% PP for compatibility with a wide range of process fluids
- Micro - denier melt-blown filtration fibre, high removal ratings
- Formed by thermal bond without use of any binders and adhesives
- Certificated by NSF42 and FDA CFR Title 21
- In compliance with EU Directive 2002/72/EC for plastic in food contact
- This design has high contaminant holding capacity. Therefore, the filter will have a longer service life and lower pressure drop

APPLICATIONS OF PRODUCT

- Filtration of etching
- Filtration of electroplating fluid in conventional electroplating industry
- Pre-filtration of DI & RO water filtration system for industry usage
- Filtration of medium & low viscosity chemical fluids
- Filtration of process water and recycled water
- Drinking water & Juice

OPERATING CONDITIONS

Maximum operating forward pressure:

80°C: 1.2 kg/cm²

60°C: 2.1 kg/cm²

20°C: 4.2 kg/cm²

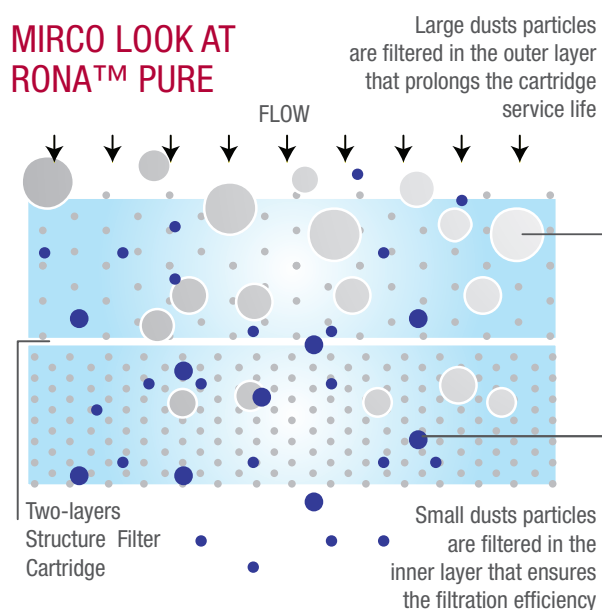
Recommended replacement pressure drop: 2.1 kg/cm²

Maximum operating temperature: 80°C

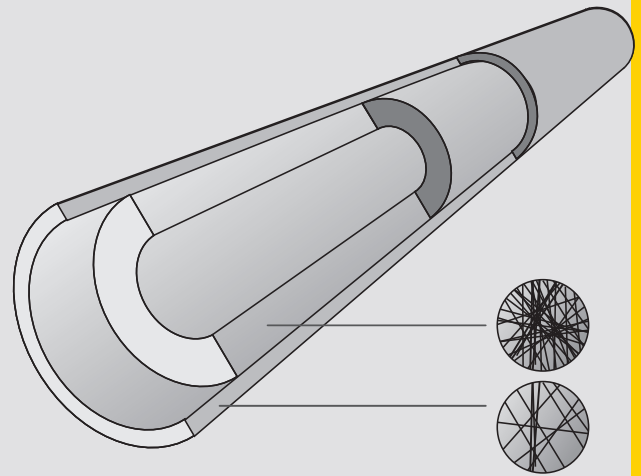
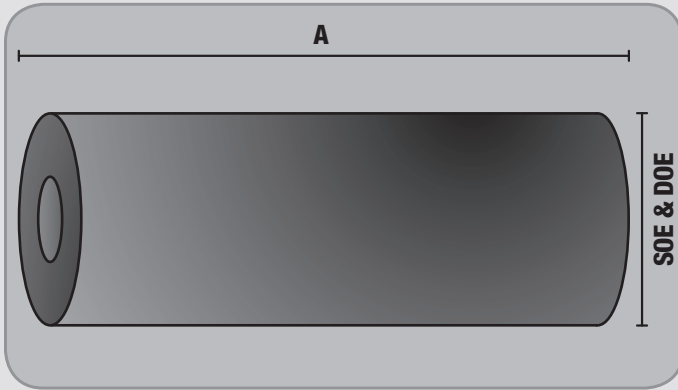
MATERIAL OF CONSTRUCTION

100% melt-blown micro-denier PP fibre

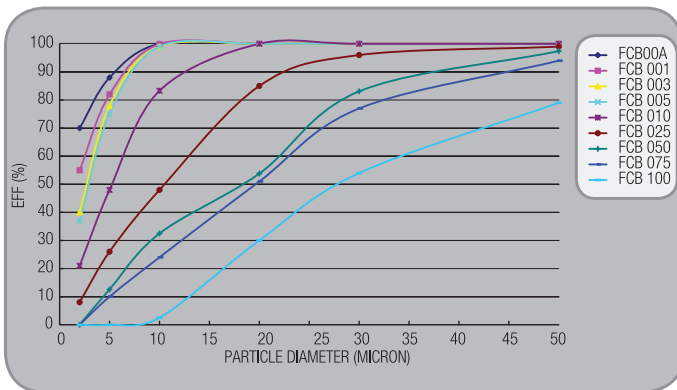
MIRCO LOOK AT RONA™ PURE



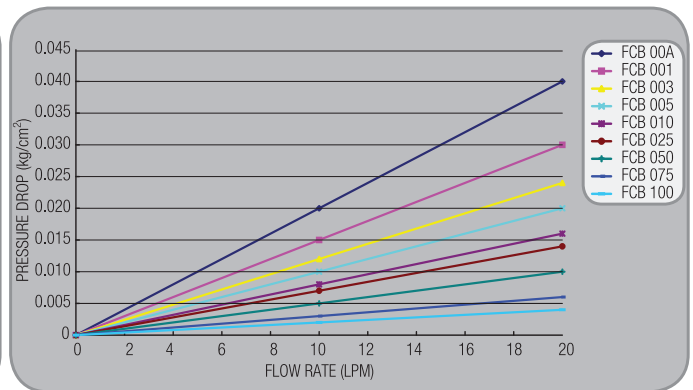
MEASUREMENTS



EFFICIENCY OF FILTRATION



INITIAL PRESSURE DROP



ORDERING INFORMATION

CARTRIDGE	LENGTH / A	MICRON	O-RING MATERIAL	END CAP
206-RCB	A : Shorter than 10" Remark total length <i>Example: 0987 = 9.87"</i>	00A :0.5µm	A :EVA	NO SYMBOL :DOE open
		001 :1µm	E :EPDM	F :DOE dbl open & cap
	1000 :10"	003 :3µm	N :BUNA N	0 :SOE 222/flat
	2000 :20"	005 :5µm	S :SILICON	5 :SOE 222/fin
	3000 :30"	010 :10µm	V :VITON	6 :SOE 226/flat
	4000 :40"	025 :25µm	T :VITON encapsulated	7 :SOE 226/fin
		050 :50µm		
		075 :75µm		
		100 :100µm		
		<i>Example: 206-RCB1000001AF</i>		

Australia Office:

P: +61 (0) 3 9872 6811
 F: +61 (0) 3 9872 6822
 E: Feedback@progressivegroup.com.au
 17 Redland Drive, Mitcham, 3132, Victoria, Australia
 www.progressivegroup.com.au

New Zealand Office:

P: +64 (0) 9 951 3142
 F: +64 (0) 9 951 3143
 E: Feedback@progressivegroupnz.co.nz
 17B Farnham Street, Parnell, Auckland, 1052, New Zealand
 www.progressivegroupnz.co.nz